

Series QR2-C, stainless steel

- 1x banjo bolt
- External thread
- G 1/8
- QR2-C-RH1
- suitable for use in food processing



Working pressure min./max.	-0,95 ... 16 bar
Ambient temperature min./max.	-20 ... 150 °C
Weight	See table

Technical data

Part No.	Port G	Delivery unit	Weight
R412004978	G 1/8	2 piece	0,014 kg
R412004979	G 1/4	2 piece	0,027 kg

Technical information

The series QR1 (plastic) and QR2 (metal) can not be combined

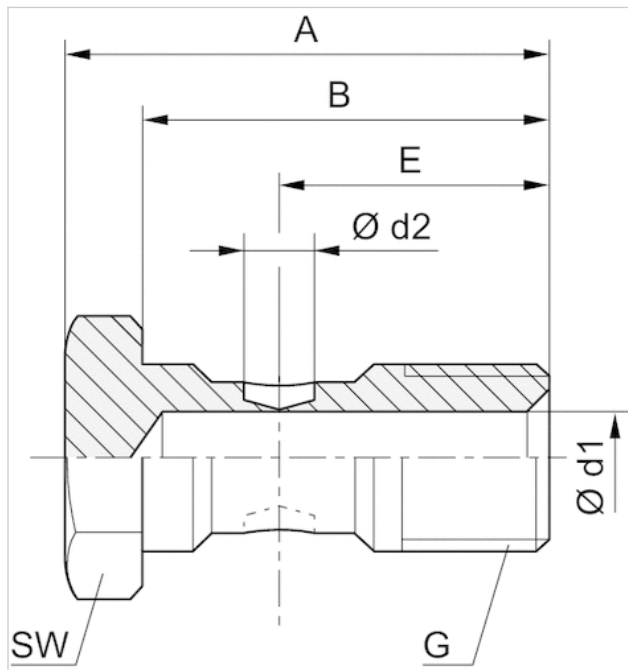
For further information about assembling and tolerances of adaptable tubing can be found in the "Technical information" document (available in the MediaCentre).

Technical information

Material	
Housing	Stainless steel
Seal	Polytetrafluorethylene
Thread	Stainless steel

Dimensions

Dimensions



Dimensions

Part No.	Port G	A	B	E	Ø d1	Ø d2	SW
R412004978	G 1/8	29	24.8	15.5	5	3.5	14
R412004979	G 1/4	32.5	27.5	17.5	7	5	17