

# Series QR2-C, stainless steel

- T-union, conical
- External thread
- R 1/4
- push-in fitting
- Ø 10
- QR2-C-RTT
- suitable for use in food processing



Working pressure min./max.	-0,95 ... 16 bar
Ambient temperature min./max.	-20 ... 150 °C
Weight	See table

## Technical data

Part No.	Port G	Port D	Delivery unit	Weight
R412004968	R 1/8	Ø 4	2 piece	0,015 kg
R412004969	R 1/8	Ø 6	2 piece	0,03 kg
R412004970	R 1/8	Ø 8	2 piece	0,031 kg
R412004971	R 1/4	Ø 6	2 piece	0,034 kg
R412004972	R 1/4	Ø 8	2 piece	0,035 kg
R412004909	R 1/4	Ø 10	2 piece	0,058 kg
R412004910	R 3/8	Ø 10	1 piece	0,061 kg

## Technical information

The series QR1 (plastic) and QR2 (metal) can not be combined

For further information about assembling and tolerances of adaptable tubing can be found in the "Technical information" document (available in the MediaCentre).

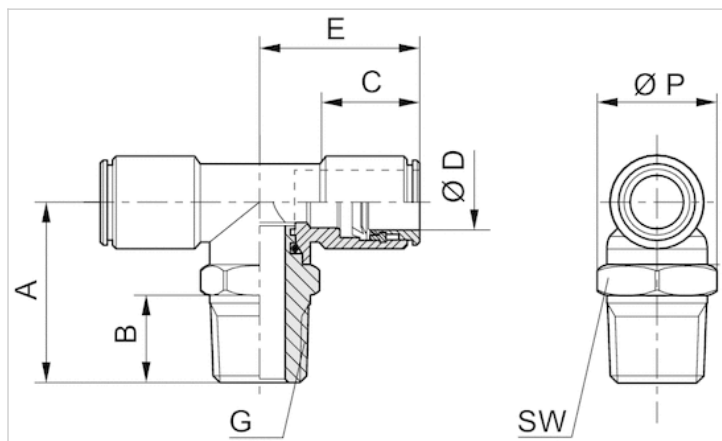
## Technical information

Material	
Housing	Stainless steel
Seal	Fluorocaoutchouc
Tooth lock washer	Stainless steel
Release ring	Stainless steel

Material	
Thread	Stainless steel

## Dimensions

### Dimensions



### Dimensions

Part No.	Port D	Port G	A	B	C	E	SW	Ø P
R412004968	Ø 4	R 1/8	21.5	7.5	15	17	10	9
R412004969	Ø 6	R 1/8	24.5	7.5	16	21	13	12
R412004970	Ø 8	R 1/8	24.5	7.5	18	21.5	13	14
R412004971	Ø 6	R 1/4	28.5	11	16	21	14	12
R412004972	Ø 8	R 1/4	28.5	11	18	21.5	14	14
R412004909	Ø 10	R 1/4	32	11	19	25	16	16
R412004910	Ø 10	R 3/8	32.5	11.5	19	25	18	16