

# Series QR2-C, stainless steel

- Bulkhead connector with external thread
- G 1/8
- QR2-C-RSG
- suitable for use in food processing



Working pressure min./max.	-0,95 ... 16 bar
Ambient temperature min./max.	-20 ... 150 °C
Weight	See table

## Technical data

Part No.	Port G	Delivery unit	Weight
R412004961	G 1/8	2 piece	0,028 kg
R412004962	G 1/4	2 piece	0,054 kg
R412004963	G 3/8	2 piece	0,09 kg
R415009442	G 1/2	1 piece	0,11 kg

## Technical information

The series QR1 (plastic) and QR2 (metal) can not be combined

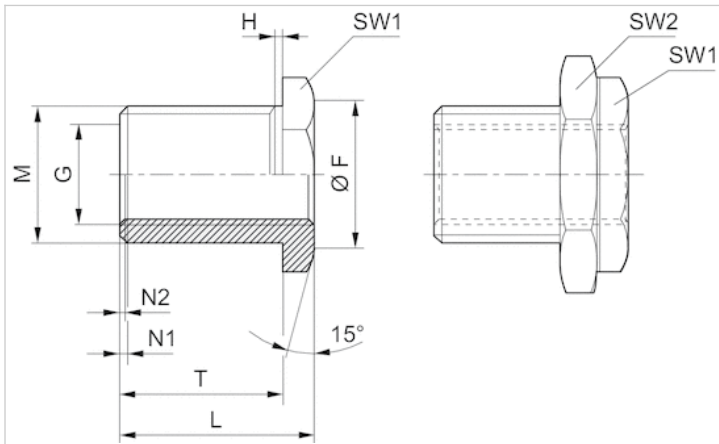
For further information about assembling and tolerances of adaptable tubing can be found in the "Technical information" document (available in the MediaCentre).

## Technical information

Material	
Housing	Stainless steel
Thread	Stainless steel

## Dimensions

### Dimensions



## Dimensions

Part No.	Port G	M	L	T	N1	N2	H	Ø F	SW1	SW2
R412004961	G 1/8	M16x1,5	18	14	1x45	0,5x45	1	18	19	22
R412004962	G 1/4	M20x1,5	25	21	1x45	1x45	2	23	24	27
R412004963	G 3/8	M26x1,5	26	21	1x45	1x45	2	29	30	32
R415009442	G 1/2	M28x1,5	33	27	1x45	1x45	2	31	32	36