

Series QR2-F Heat-resistant

- Elbow fitting, rotatable
- External thread
- M5
- push-in fitting
- Ø 4
- QR2-F-RVT



Working pressure min./max.	-0,95 ... 16 bar
Ambient temperature min./max.	-20 ... 150 °C
Weight	See table

Technical data

Part No.	Port G	Port D	Delivery unit	Weight
1823391870	M5	Ø 4	10 piece	0,015 kg
R412007681	M5	Ø 6	10 piece	0,012 kg
1823391871	G 1/8	Ø 4	10 piece	0,018 kg
1823391872	G 1/8	Ø 6	10 piece	0,02 kg
1823391873	G 1/8	Ø 8	10 piece	0,022 kg
1823391874	G 1/4	Ø 6	10 piece	0,025 kg
1823391875	G 1/4	Ø 8	10 piece	0,027 kg
1823391876	G 1/4	Ø 10	10 piece	0,031 kg
R412007624	G 1/4	Ø 12	5 piece	0,058 kg
1823391877	G 3/8	Ø 8	5 piece	0,042 kg
1823391878	G 3/8	Ø 10	5 piece	0,042 kg
R412007623	G 3/8	Ø 12	5 piece	0,059 kg
R412007731	G 1/2	Ø 12	5 piece	0,07 kg

Technical information

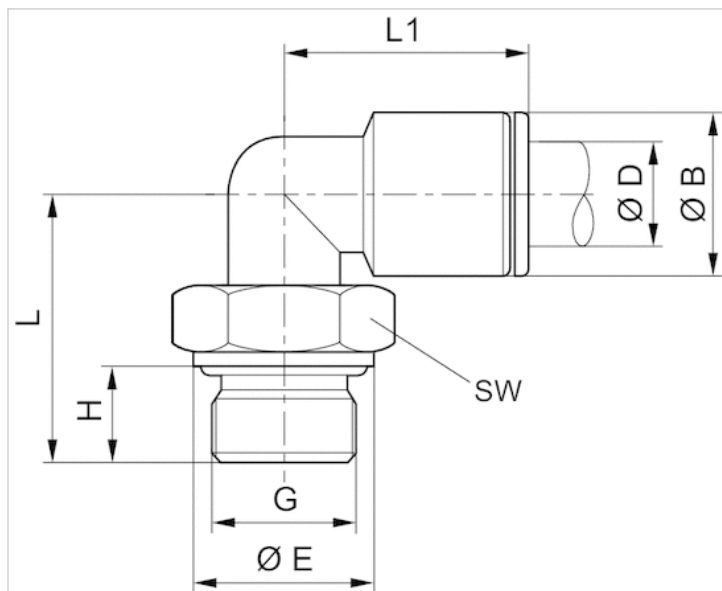
The series QR1 (plastic) and QR2 (metal) can not be combined
Thread seal with captive O-ring

For further information about assembling and tolerances of adaptable tubing can be found in the "Technical information" document (available in the MediaCentre).

Technical information

Material	
Housing	Brass, nickel-plated
Seal	Fluorocaoutchouc
Tooth lock washer	Stainless steel
Release ring	Brass, nickel-plated
Thread	Brass, nickel-plated

Dimensions



Dimensions

Part No.	Port D	Port G	Ø B	Ø E	H	L	L1	A*	SW
1823391870	Ø 4	M5	9	8	4	15.1	18.2	14	9
R412007681	Ø 6	M5	11	8	4	14.5	21	16	9
1823391871	Ø 4	G 1/8	9	13	6	20	19	15	13
1823391872	Ø 6	G 1/8	11	13	6	20	21	16	13
1823391873	Ø 8	G 1/8	13	13	6	20	23	16	13
1823391874	Ø 6	G 1/4	11	16	8	24	21	18	13
1823391875	Ø 8	G 1/4	13	16	8	24	24	18	13
1823391876	Ø 10	G 1/4	15	16	8	24	27	19	16
R412007624	Ø 12	G 1/4	17	16	8	28.5	28	20	16
1823391877	Ø 8	G 3/8	13	20	9	25.5	24	18	13
1823391878	Ø 10	G 3/8	15	20	9	28	27	19	16
R412007623	Ø 12	G 3/8	17	20	9	28.5	28	20	20
R412007731	Ø 12	G 1/2	17	25	11	33.5	28	20	20

*