

Series QR2-F Heat-resistant

- Bulkhead push-in fitting, metal
- push-in fitting
- Ø 12
- push-in fitting
- Ø 12
- QR2-F-RSM



Working pressure min./max.

-0,95 ... 16 bar

Ambient temperature min./max.

-20 ... 150 °C

Technical data

Part No.	Port G	Port D	Delivery unit
R412007629	Ø 6	Ø 6	10 piece
R412007628	Ø 8	Ø 8	10 piece
R412007627	Ø 10	Ø 10	10 piece
R412007626	Ø 12	Ø 12	5 piece

Technical information

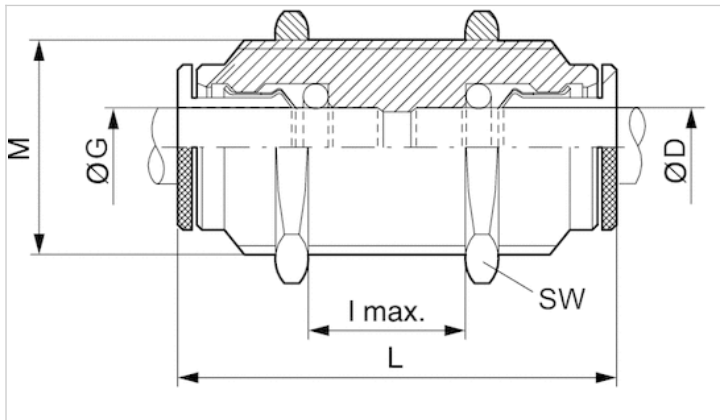
The series QR1 (plastic) and QR2 (metal) can not be combined

For further information about assembling and tolerances of adaptable tubing can be found in the "Technical information" document (available in the MediaCentre).

Technical information

Material	
Housing	Brass, nickel-plated
Seal	Fluorocaoutchouc
Tooth lock washer	Stainless steel
Release ring	Brass, nickel-plated
Thread	Brass, nickel-plated

Dimensions



Dimensions

Part No.	Port D	Port G	M	l 1)	L	SW
R412007629	Ø 6	Ø 6	M14x1	8	33.5	17
R412007628	Ø 8	Ø 8	M16x1	10	37	18
R412007627	Ø 10	Ø 10	M17x1	12	39.5	20
R412007626	Ø 12	Ø 12	M20x1	17	42	24

1) Max.