

# Adapter, Series ACP

- Suction cup accessories



Weight

See table

## Technical data

Part No.	Port G	Weight
2738405050	M5	0,009 kg
2738418040	G 1/8	0,028 kg
2738418060	G 1/8	0,032 kg
2738418080	G 1/8	0,03 kg
2738414100	G 1/4	0,045 kg

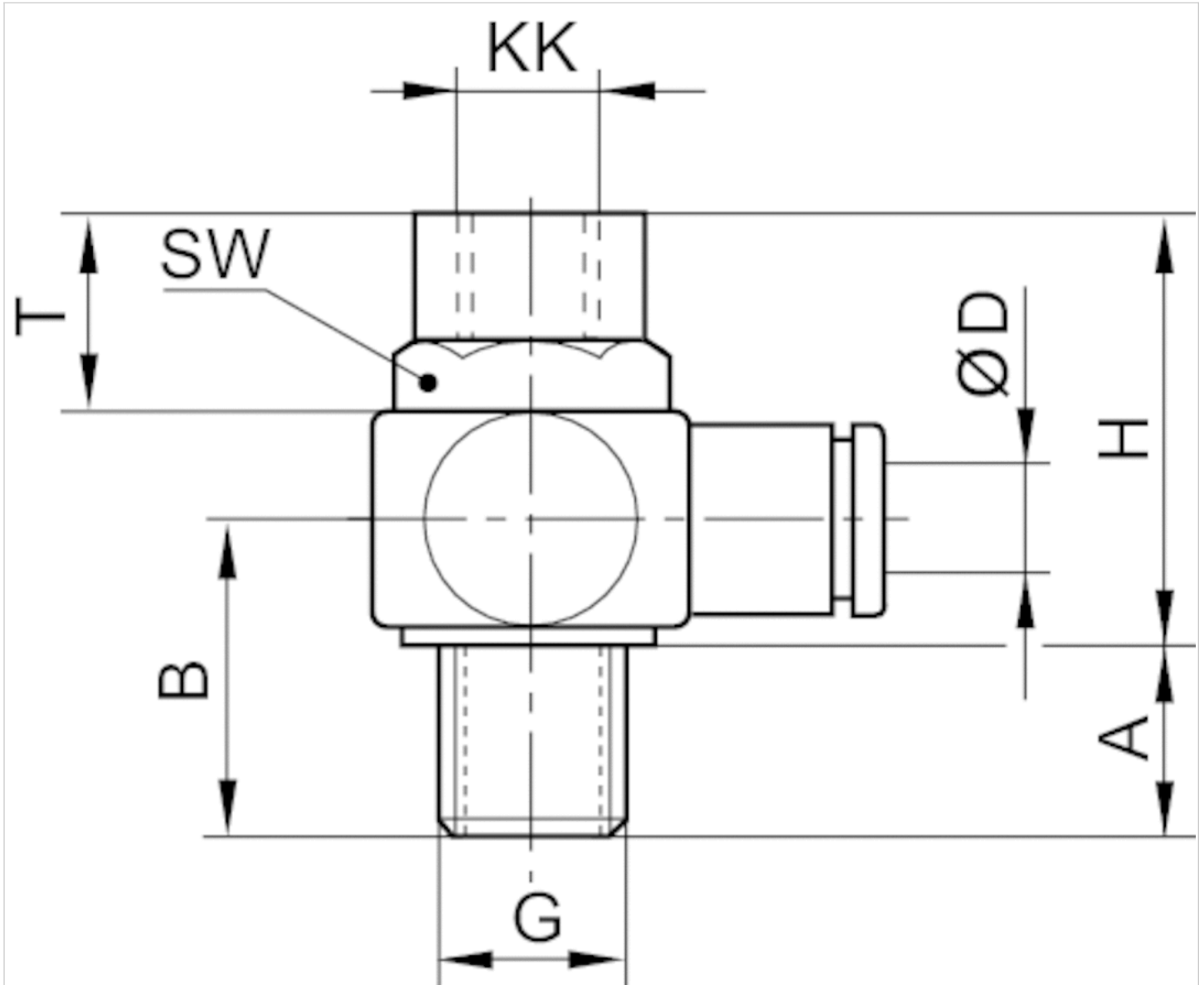
## Technical information

The adapter is designed for mounting a suction cup directly on a piston rod. The pipe connection, D, is located at the side.

## Technical information

Material	
Housing	Polyamide

## Dimensions



KK = piston rod thread  
G = Suction cups - Connection thread

## Dimensions

Part No.	G	KK	Ø D	A	B	H	T	SW	Material
2738405050	M5	M5	4	4,5	10,5	21	5,5	8	Polyamide
2738418040	G 1/8	M4	6	5,5	14,5	30	8	14	Polyamide
2738418060	G 1/8	M6	6	5,5	14,5	30	8	14	Polyamide
2738418080	G 1/8	M8	6	5,5	14,5	30	8	14	Polyamide
2738414100	G 1/4	M10x1,25	8	8,5	17,5	31	10	17	Polyamide

KK = piston rod thread  
G = Suction cups - Connection thread