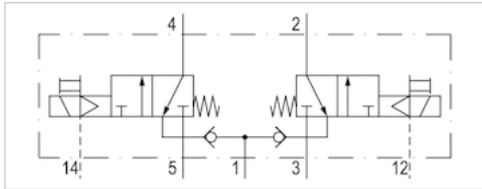


2x3/2-directional valve, Series 581, size 1

- ISO 5599-1
- ISO 1
- 2x3/2
- Qn = 950 l/min
- Compressed air connection output Base plate ISO 5599-1
- Electrical connection Plug, 3-pin
- Manual override without detent



Version	Spool valve
Pilot	external
Sealing principle	Soft sealing
Blocking principle	Single base plate principle
Connection type	Plate connection
Standards	ISO 5599-1, ISO 1
Working pressure min./max.	0 ... 8 bar
Control pressure min./max.	3,5 ... 8 bar
Ambient temperature min./max.	-10 ... 50 °C
Medium temperature min./max.	-10 ... 50 °C
Medium	Compressed air
Max. particle size	50 µm
Oil content of compressed air	0 ... 5 mg/m ³
Nominal flow Qn	950 l/min
Flow conductance C	3,2 l/(s*bar)
Protection class with connection	IP67
Protective circuit	Z-diode
Reverse polarity protection	Protected against polarity reversal
LED status display	Green
Duty cycle	100 %
Typ. switch-on time	15 ms
Typ. switch-off time	22 ms
Mounting screw	with hexagon socket
Mounting screw tightening torque	2 Nm
Weight	0,22 kg

Technical data

Part No.	MO	Operational voltage DC	Voltage tolerance DC	Power consumption DC
R402003704	NC/NC	24 V	-10% / +10%	2,2 W

Part No.	Cable length	Electrical connection Pilot valve	Protected against polarity reversal
R402003704	0,5 m	Plug 3-pin	Protected against polarity reversal

Connection 12 must be connected with atmospheres, The valve must be supplied with compressed air via ports 3 and 5, Nominal flow Qn at 6 bar and $\Delta p = 1$ bar, MO = Manual override

Technical information

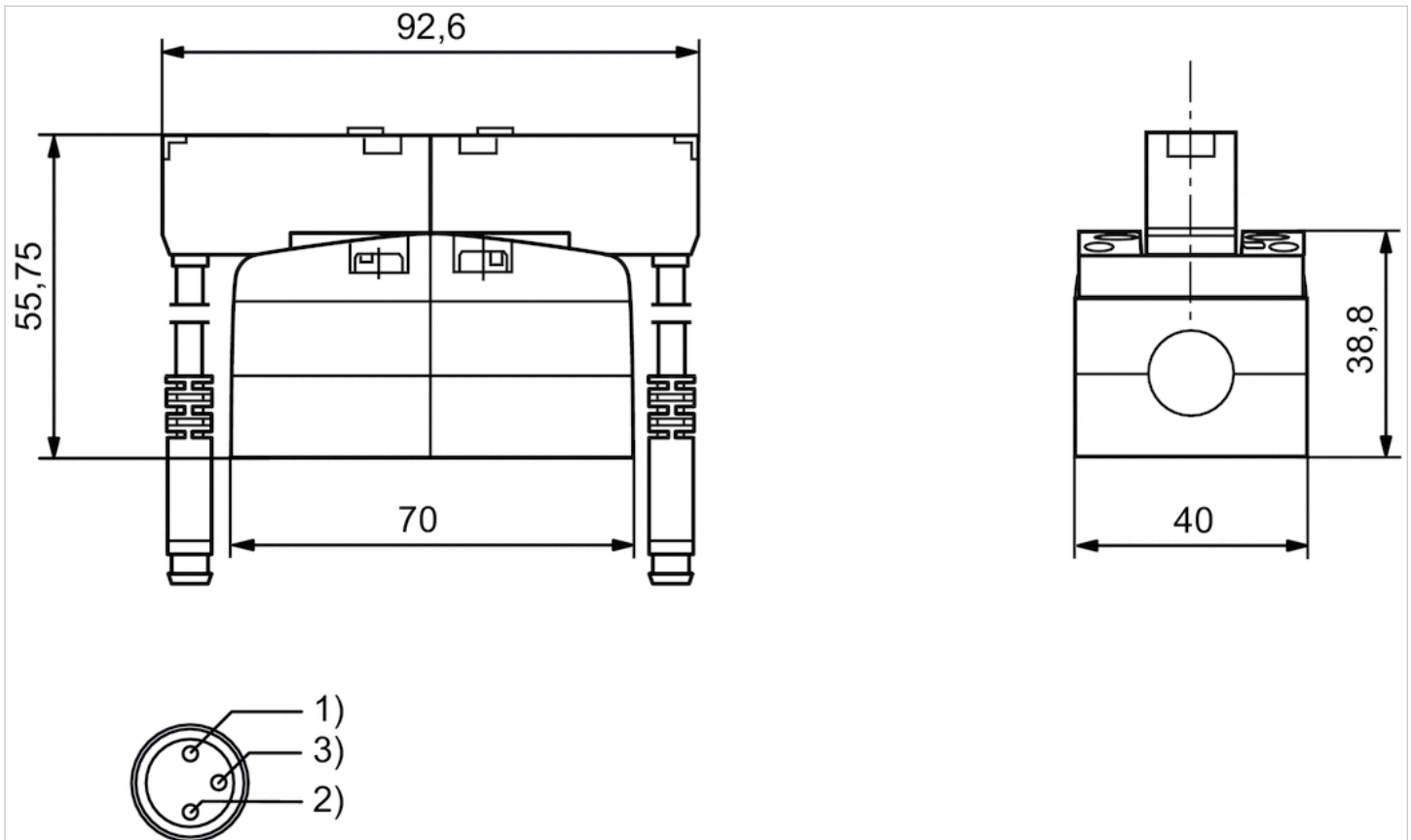
The min. control pressure must be adhered to, since otherwise faulty switching and valve failure may result!
The pressure dew point must be at least 15 °C under ambient and medium temperature and may not exceed 3 °C .
The oil content of compressed air must remain constant during the life cycle.
Use only the approved oils from AVENTICS. Further information can be found in the "Technical information" document (available in the MediaCentre).

Technical information

Housing	Polyamide, fiber-glass reinforced
Seals	Acrylonitrile butadiene rubber

Dimensions

Dimensions



Pin assignment 1) brown (+24 V) 2) green/yellow (ground) 3) blue (0 V)