

Series QR2-C, stainless steel

- Straight fitting
- External thread
- G 1/4
- push-in fitting
- Ø 6
- QR2-C-RPN
- suitable for use in food processing



Working pressure min./max.	-0,95 ... 16 bar
Ambient temperature min./max.	-20 ... 150 °C
Weight	See table

Technical data

Part No.	Port G	Port D	Delivery unit	Weight
2544004050	M5	Ø 4	2 piece	0,005 kg
R412026847	M5	Ø 6	2 piece	0,008 kg
R412010036	M7	Ø 4	2 piece	0,01 kg
R412010037	M7	Ø 6	2 piece	0,01 kg
R412004890	G 1/8	Ø 4	2 piece	0,008 kg
R412004891	G 1/8	Ø 6	2 piece	0,01 kg
R412004892	G 1/8	Ø 8	2 piece	0,013 kg
R412004893	G 1/4	Ø 6	2 piece	0,015 kg
R412004894	G 1/4	Ø 8	2 piece	0,019 kg
R412004895	G 1/4	Ø 10	2 piece	0,022 kg
R412004896	G 3/8	Ø 10	2 piece	0,039 kg
R412004897	G 3/8	Ø 12	2 piece	0,041 kg
R412010043	G 1/2	Ø 10	2 piece	0,057 kg
R412010524	G 1/2	Ø 12	2 piece	0,055 kg

Technical information

The series QR1 (plastic) and QR2 (metal) can not be combined
Thread seal with captive O-ring

For further information about assembling and tolerances of adaptable tubing can be found in the "Technical information" document (available in the MediaCentre).

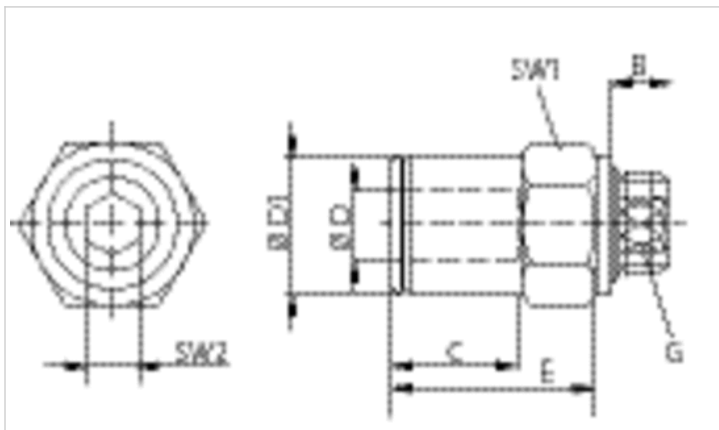
Technical information

Material

Housing	Stainless steel
Seal	Fluorocaoutchouc
Tooth lock washer	Stainless steel
Release ring	Stainless steel
Thread	Stainless steel

Dimensions

Dimensions



Dimensions

Part No.	Port D	Port G	A	B	C	E*	SW1	SW2	ØD1
2544004050	Ø 4	M5	20.5	4	7	15	9	–	9
R412026847	Ø 6	M5	22.5	4	–	16	9	–	11
R412010036	Ø 4	M7	22.5	5.5	5	15	11	2.5	9
R412010037	Ø 6	M7	24	5.5	6	16	11	3.5	11
R412004890	Ø 4	G 1/8	17	5.5	7	15	13	3	9
R412004891	Ø 6	G 1/8	23.5	5.5	12.5	16	13	4	11
R412004892	Ø 8	G 1/8	23.5	5.5	12.5	18	13	5	13
R412004893	Ø 6	G 1/4	21.5	6.5	5.5	16	16	4	11
R412004894	Ø 8	G 1/4	25.5	6.5	9.5	16	16	6	13
R412004895	Ø 10	G 1/4	27.5	6.5	7.5	16	16	7	15
R412004896	Ø 10	G 3/8	25.5	9	7	19	21	8	15
R412004897	Ø 12	G 3/8	31	9	7	20	21	10	17
R412010043	Ø 10	G 1/2	29	9	7	19	23	8	15
R412010524	Ø 12	G 1/2	29	9	7	20	23	10	17

*