

Compressed air maintenance unit, series AS5-Inch

Lubricator, oil-drop AS5-LBS, with semi-automatic oil filling, 3/4" - 1" NPT



00119800

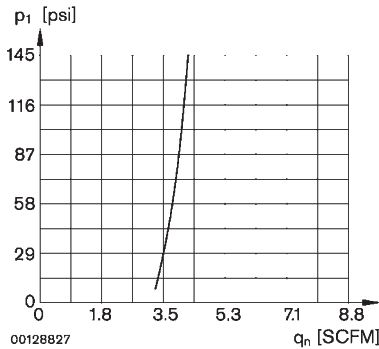
Ambient temperature min./max.	-10°C / +50°C [14 °F / 122 °F]
Medium	Compressed air to ISO8573-1:2001
Type of filling	Semi-automatic oil filling during operation
Installation orientation	vertical
Reservoir volume	181 cm ³ [6.12 fl.oz.]
Oil type	HL 68 (DIN 51 524 - ISO VG 68)
Materials:	
Housing	Polyamide, seals Buna-N (NBR)
Threaded bushing	Die-cast zinc
Cover	Acrylonitrile Butadiene Styrene (ABS)

	Thread conn. NPT	Oper. press. [psi]	Flow rate [CFM]	Protective guard	Weight [lb]	Ready for oil level sensor	Part No. (Reservoir material)	
							Polycarb.	Metal
	3/4"	7 ... 232	557	Polyamide/none	1.68/2.87	no	R432002809	R432003073
	3/4"	7 ... 232	557	Polyamide/none	1.68/2.87	yes	R432002810	R432003074
	1"	7 ... 232	557	Polyamide/none	1.68/2.87	no	R432002813	R432003075
	1"	7 ... 232	557	Polyamide/none	1.68/2.87	yes	R432002814	R432003076

Reservoir materials: Polycarbonate or die-cast zinc

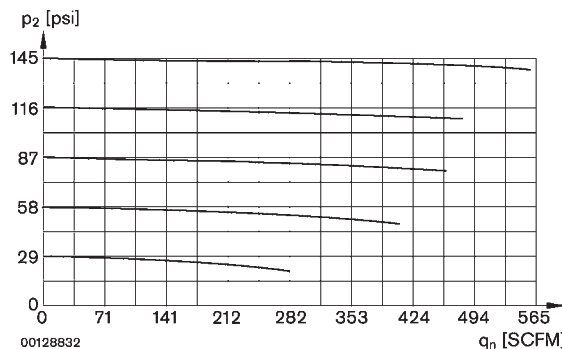
Nominal flow at inlet pressure 91 psi and 15 psi drop ($P_1 = 6.3 \text{ bar}$, $\Delta P = 1 \text{ bar}$)

Lubricator activation margin



p_1 = secondary pressure; q_n = nominal flow

Flow rate characteristic

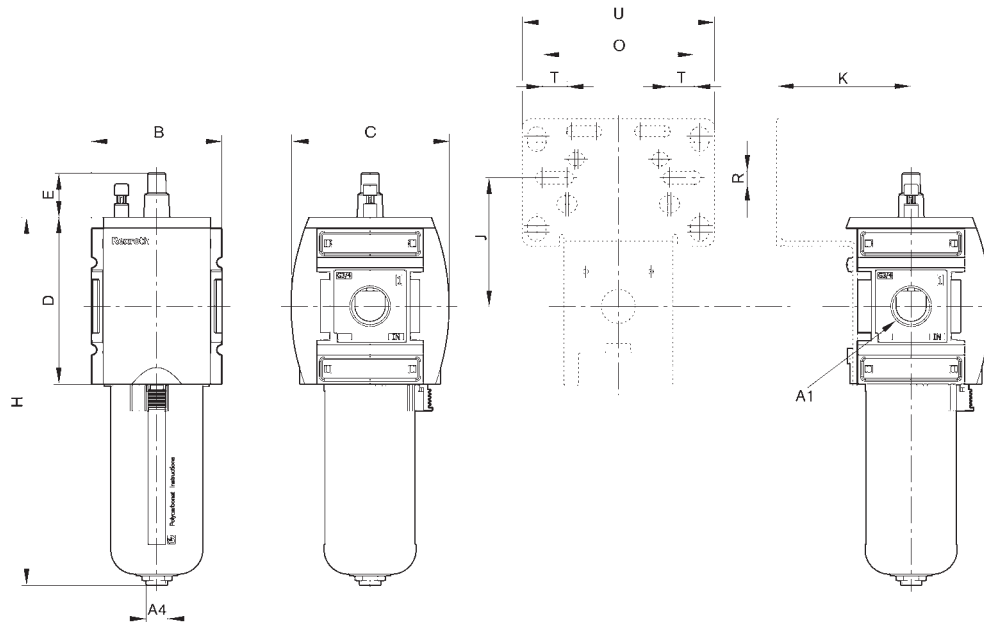


p_2 = secondary pressure; q_n = nominal flow

Compressed air maintenance unit, series AS5-Inch

Lubricator AS5-LBS, with semi-automatic oil filling, 3/4" - 1" NPT

Dimensioned drawing



00119837

00119837

A1	A4	B	C	D	E	H	J	K	O	R	T	U
3/4 NPT	G 1/8	3.346	4.055	4.291	1.143	9.409	3.268	3.425	3.858	0.276	0.63	4.882
1 NPT	G 1/8	3.346	4.055	4.291	1.143	9.409	3.268	3.425	3.858	0.276	0.63	4.882