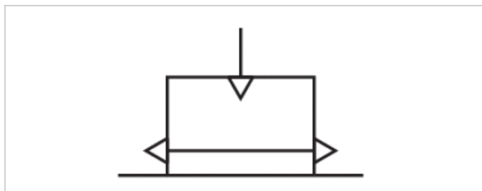


Non-contact transport system, Series NCT-AL

- F = 2.5-46 N

- Ø 20-100 mm



Version	Bernoulli principle
Working pressure min./max.	1 ... 6 bar
Ambient temperature min./max.	5 ... 60 °C
Medium	Compressed air
Max. particle size	40 µm
Oil content of compressed air	0 mg/m ³
Weight	See table below

Technical data

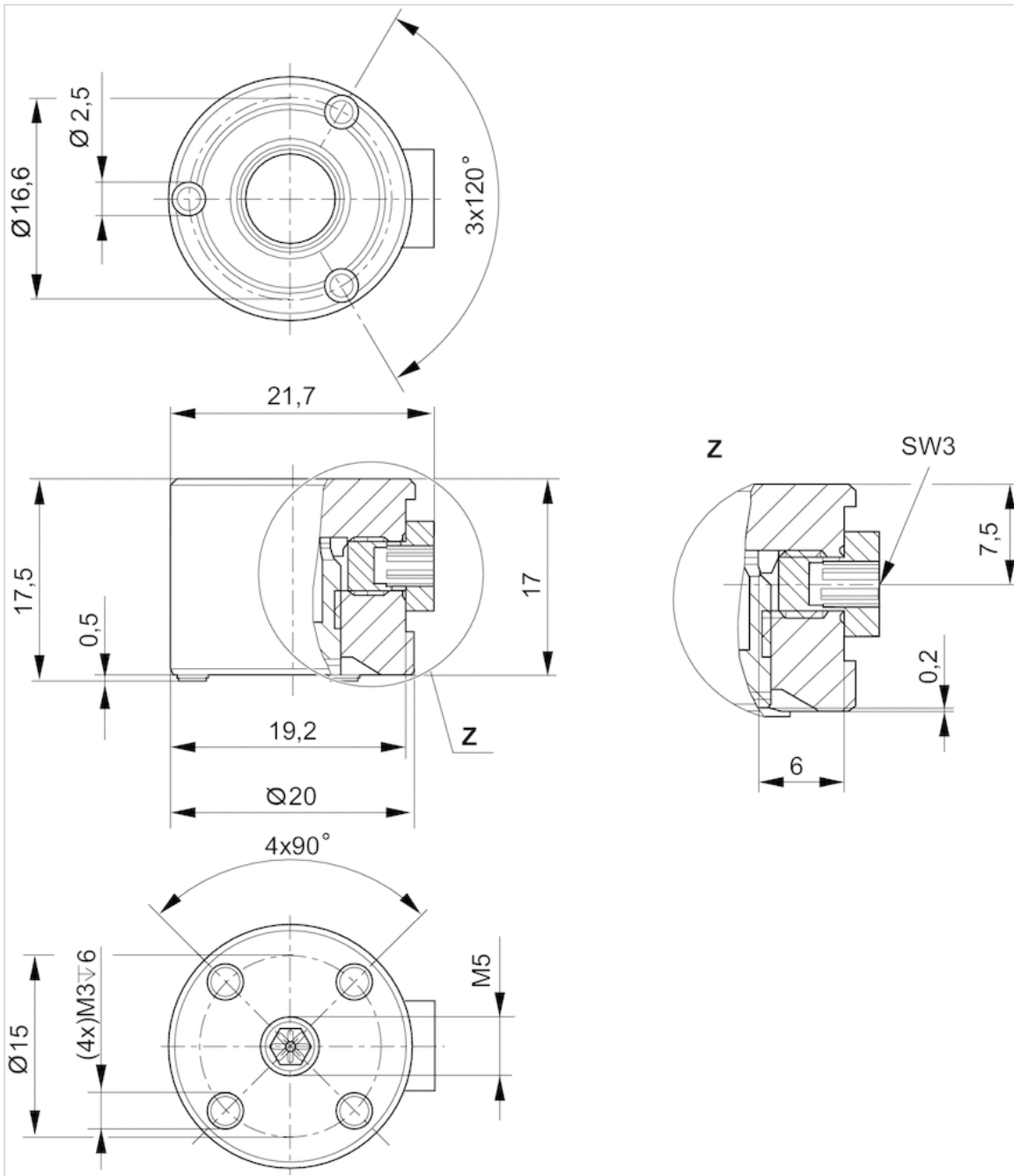
Part No.	Diameter	Lifting force at 5 bar	Air consumption at 5 bar	port pneumatic	Weight
R412010372	20 mm	2,5 N	96 l/min	M5	0,013 kg
R412010373	30 mm	4 N	100 l/min	M5	0,031 kg
R412010374	40 mm	6,5 N	100 l/min	G 1/8	0,052 kg
R412010375	60 mm	13 N	150 l/min	G 1/8	0,12 kg
R412010640	100 mm	46 N	228 l/min	G 1/8	0,3 kg

Technical information

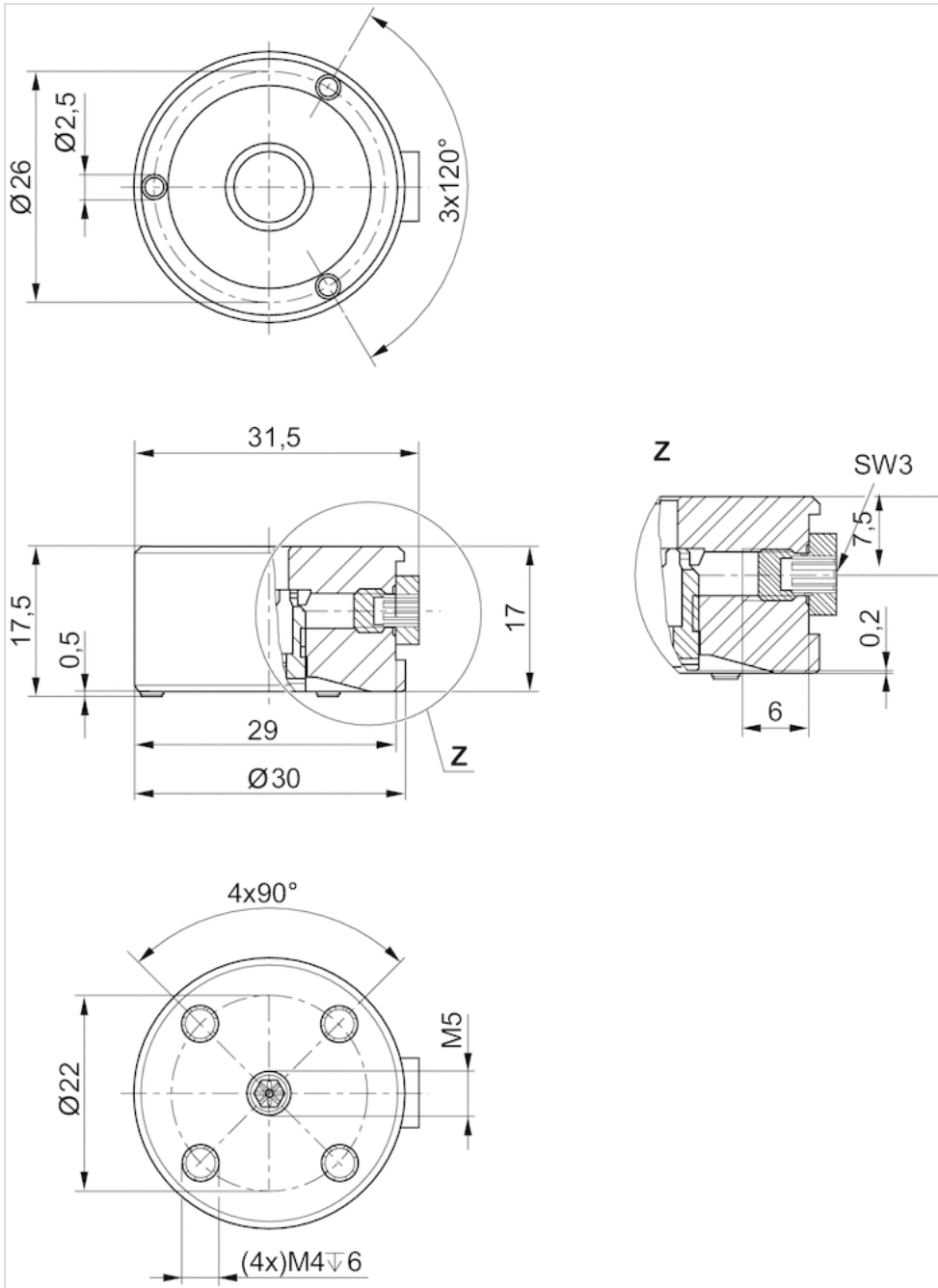
Material	
Housing	Aluminum, anodized
Stop	High-temperature material HT1
Blanking screw	Brass
Seal	Nitrile butadiene rubber

Dimensions

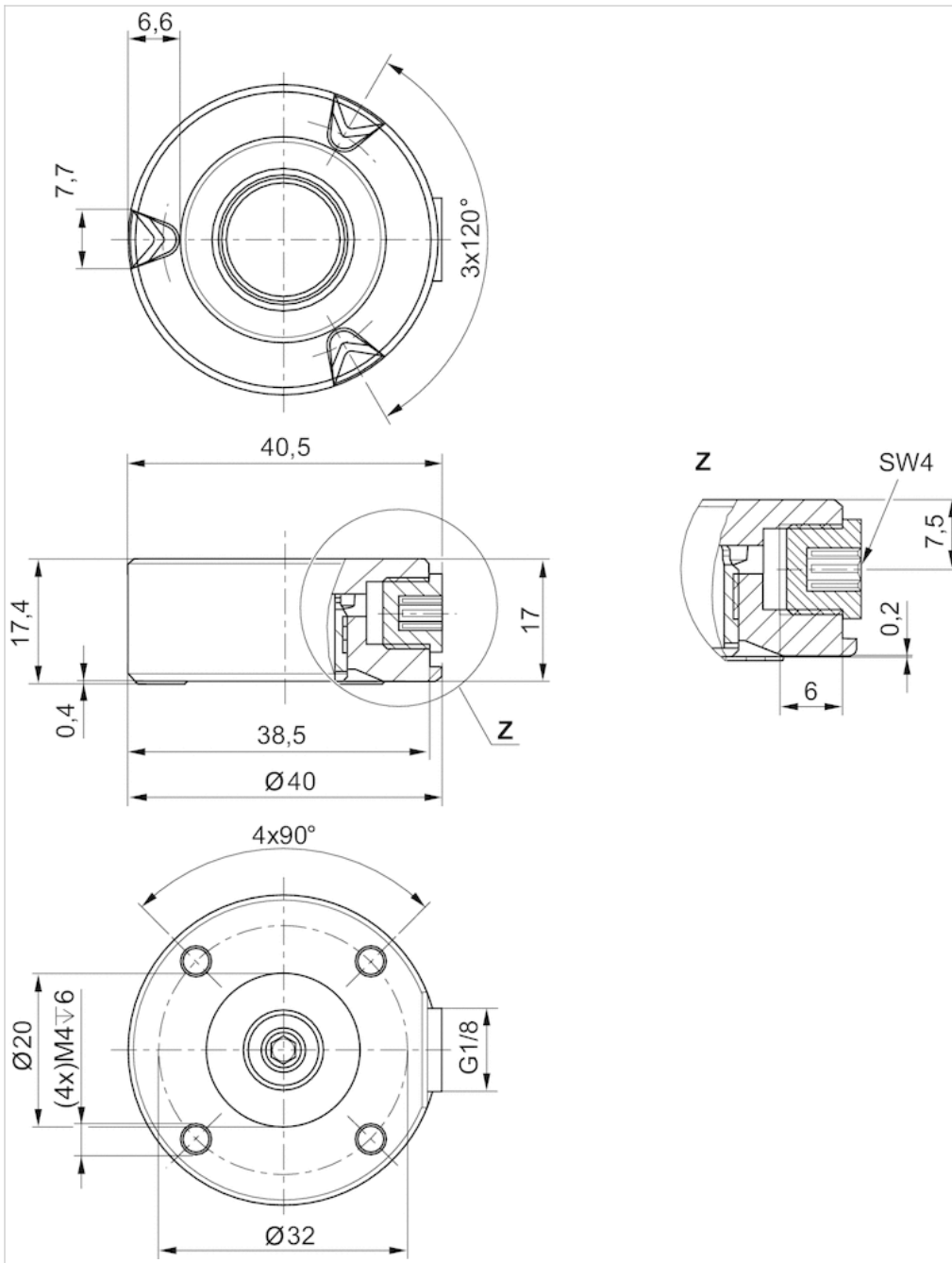
Dimensions Ø 20



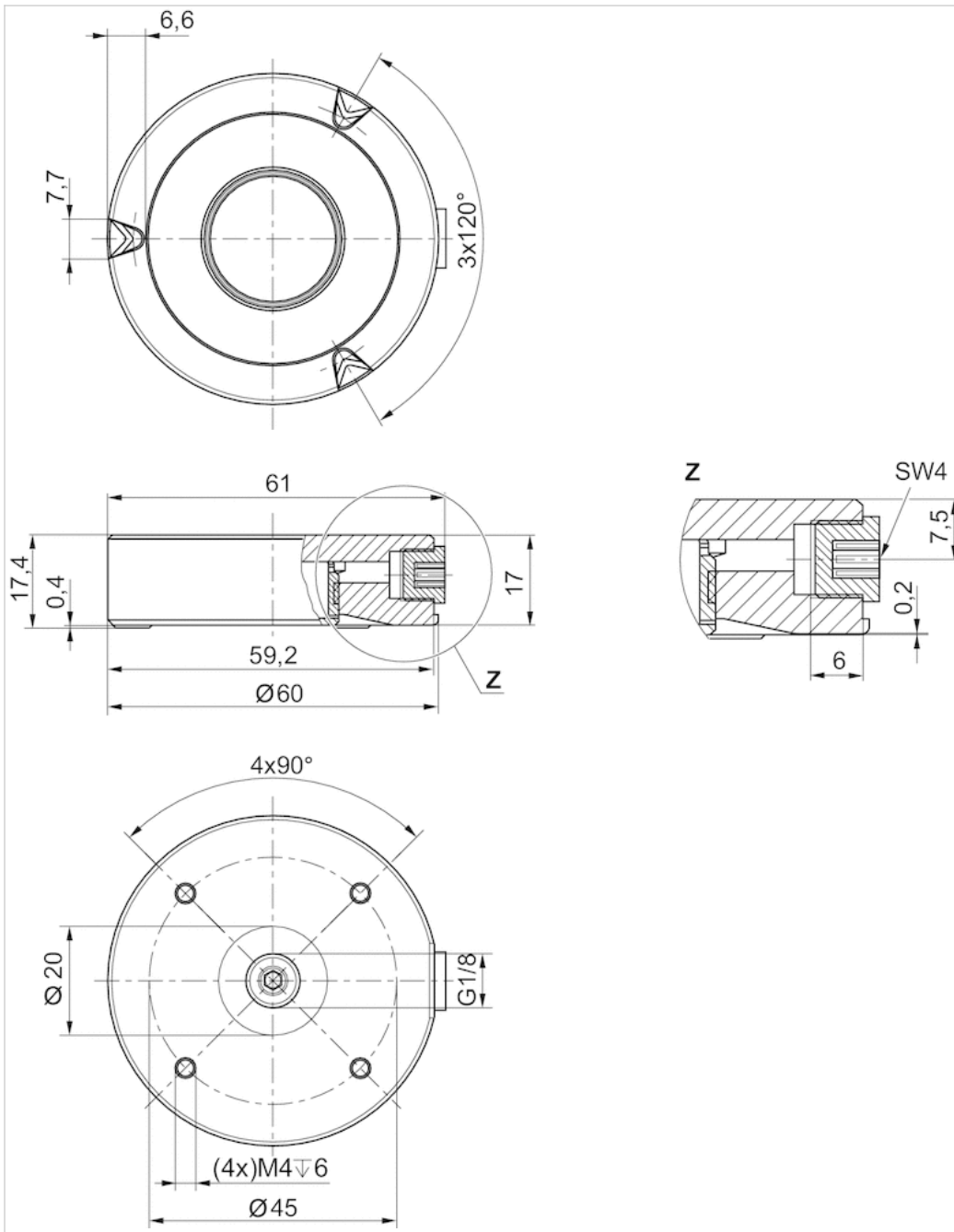
Dimensions Ø 30



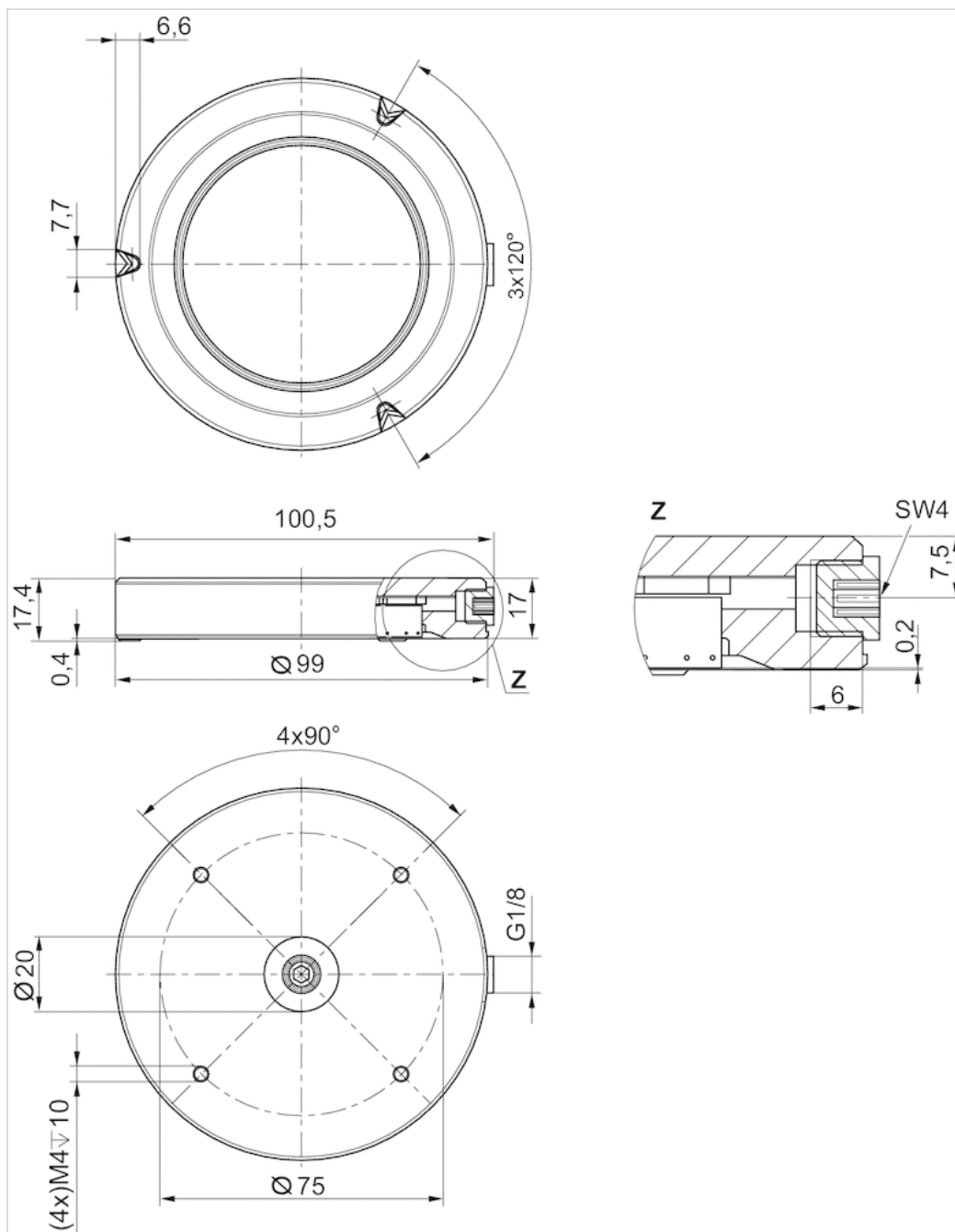
Dimensions Ø 40



Dimensions Ø 60

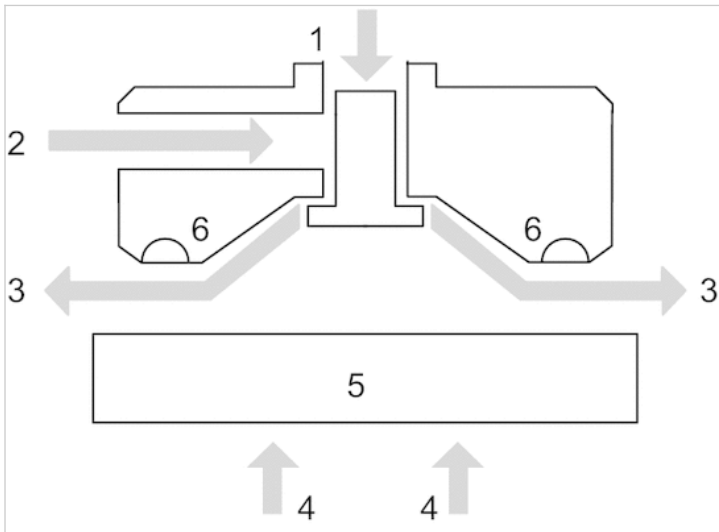


Dimensions Ø 100



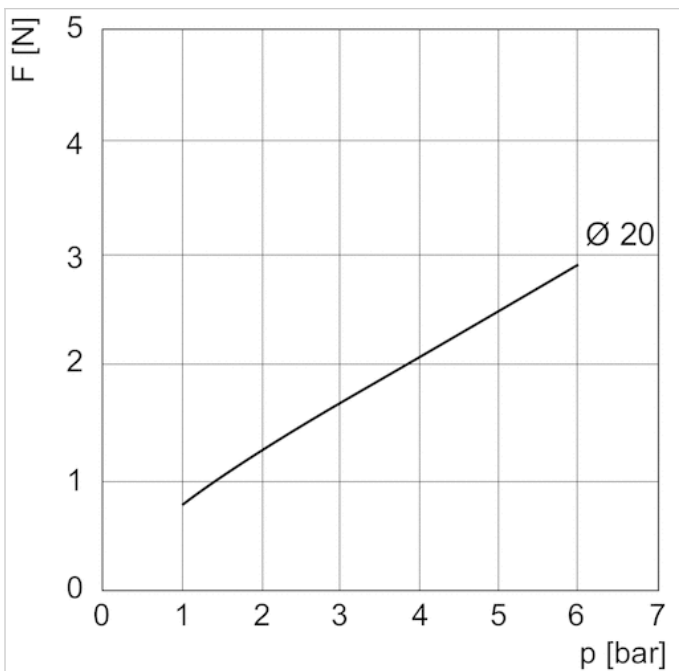
Diagrams

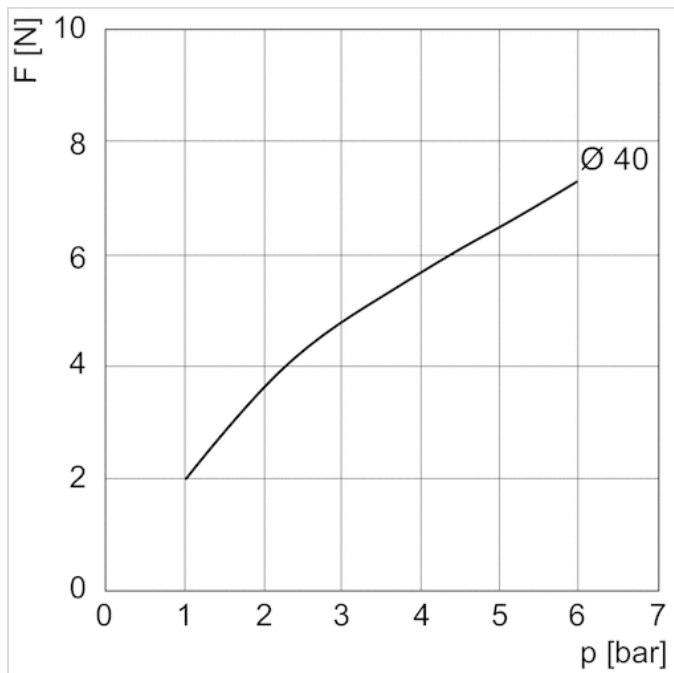
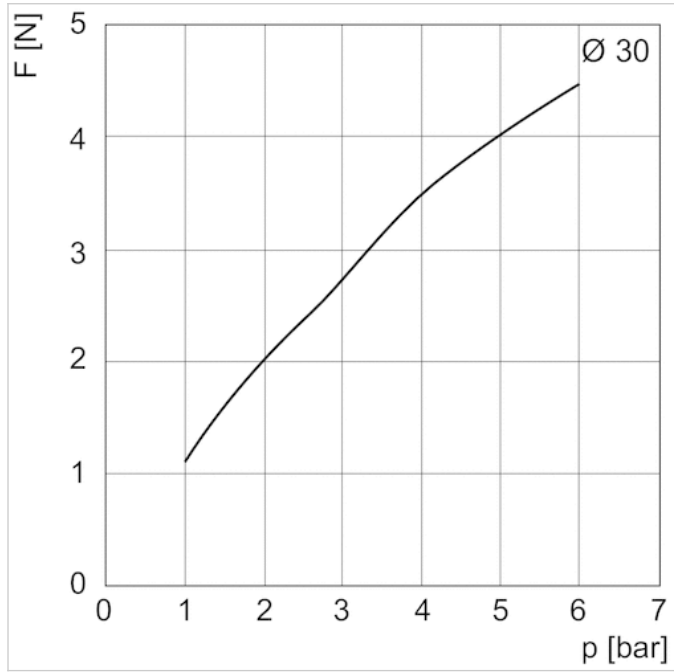
Principle of operation

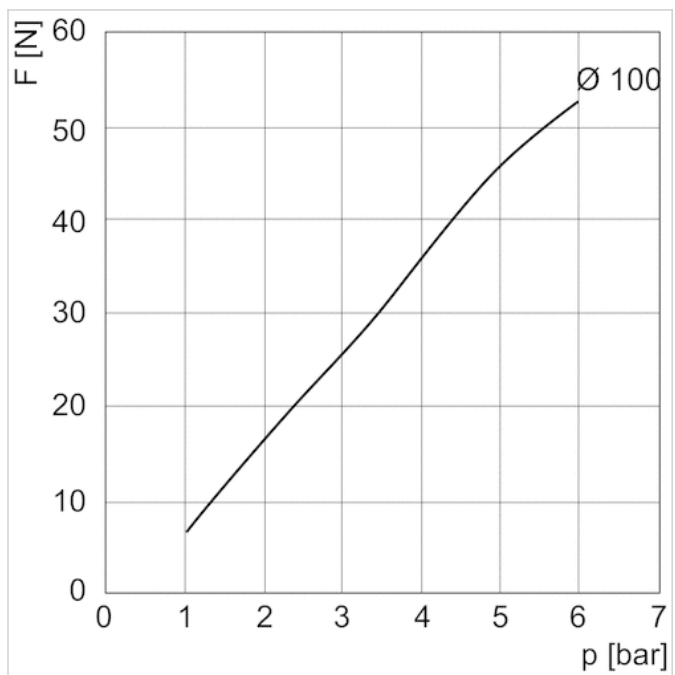
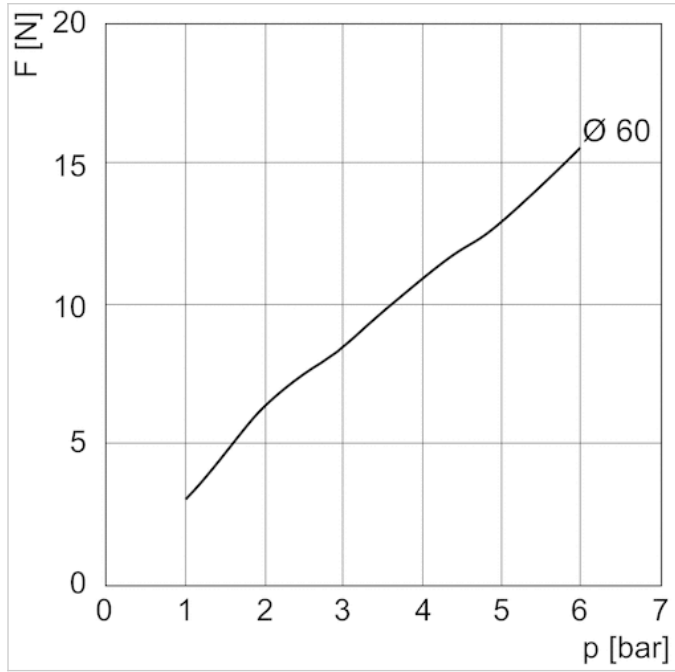


- 1) Compressed air connection
 2) Alternative compressed air connection
 3) Air flow
 4) Lifting force
 5) Object
 6) Stop

Lifting force F dependent on working pressure p







Air consumption Q depending on working pressure p

