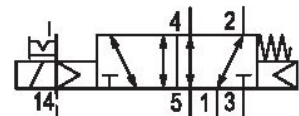
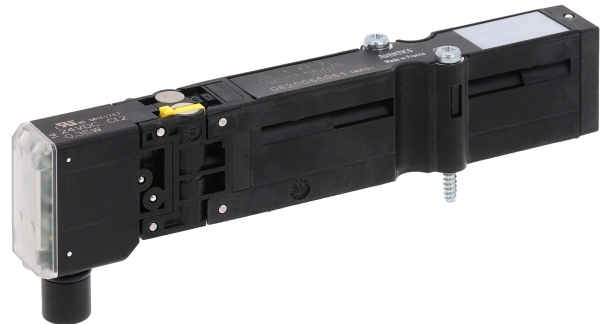


# 5/2-directional valve, Series HF03-LG

0820055051

General series information  
Series HF03-LG

- The AVENTICS Series HF03-LG valve system is ideal for a variety of applications. It is versatile due to its wide connectivity and modularity.



## Technical data

Industry  
Industrial

Activation  
Electrically

Nominal flow Q<sub>n</sub>  
850 l/min

Switching principle  
5/2

Working pressure min.  
-0.9 bar

Working pressure max.  
10 bar

Operational voltage  
24 V DC

Pilot valve width  
16 mm

Valve type  
Spool valve, positive overlapping

DC operating voltage  
24 V

Voltage tolerance DC  
-15% / +20%

Manual override  
with detent

Actuating control  
Single Solenoid

Sealing principle  
Soft Seal

Pilot  
External

Certificates  
UR (Underwriters Laboratories)

Connection type  
Plate connection

Return  
With spring return

**Blocking principle**  
Single base plate principle

**Control pressure min.**  
2.5 bar

**Control pressure max.**  
10 bar

**Min. ambient temperature**  
0 °C

**Max. ambient temperature**  
50 °C

**Min. medium temperature**  
0 °C

**Max. medium temperature**  
50 °C

**Medium**  
Compressed air

**Max. particle size**  
5 µm

**Oil content of compressed air min.**  
0 mg/m<sup>3</sup>

**Oil content of compressed air max.**  
5 mg/m<sup>3</sup>

**Pilot control exhaust**  
With collective pilot air exhaust

**Flow conductance b**  
0.22

**Flow conductance C**  
2.98 l/(s\*bar)

**Power consumption DC**  
0.35 W

**LED status display**  
Yellow

**Duty cycle**  
100 %

**Typ. switch-on time**  
16 ms

**Typ. switch-off time**  
23 ms

**Pilot valve width**  
16 mm

**Protection class with connection**  
IP65

**Protective circuit**  
Z-diode

**Reverse polarity protection**  
Protected against polarity reversal

**mounting screws**  
cross recessed DIN EN ISO 4757-Z1

**Mounting screw tightening torque**  
1.3 Nm

**Weight**  
0.082 kg

## Material

**Housing material**  
Polyamide fiber-glass reinforced

**Seal material**  
Acrylonitrile butadiene rubber

**Part No.**  
0820055051

## Technical information

The pilot type (external/internal) is not implemented in the valve, but in the end plate of the valve system.

The pilot valve is UL (Underwriters Laboratories) certified.

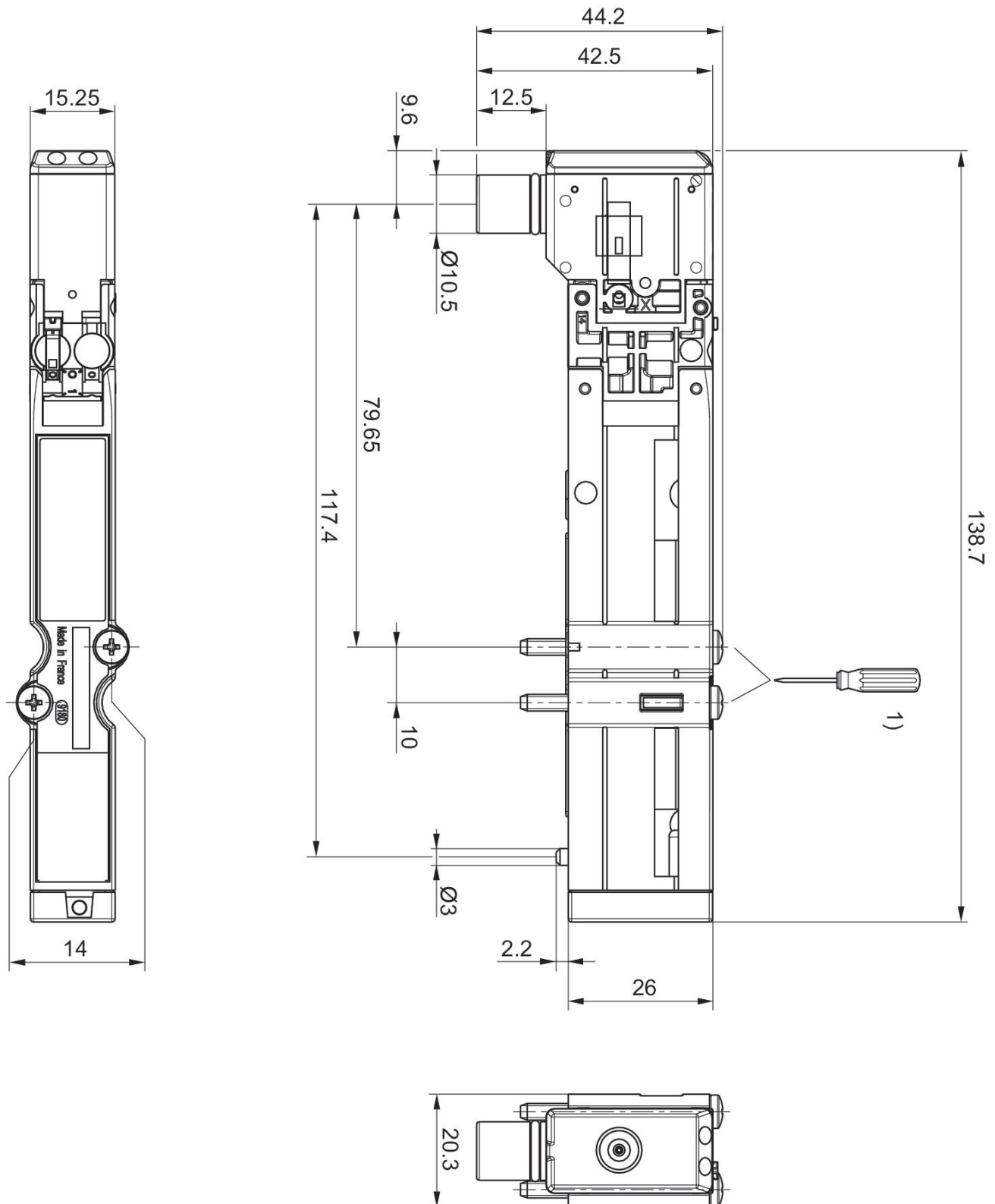
The min. control pressure must be adhered to, since otherwise faulty switching and valve failure may result!

The pressure dew point must be at least 15 °C under ambient and medium temperature and may not exceed 3 °C .

The oil content of compressed air must remain constant during the life cycle.

Use only the approved oils from AVENTICS. Further information can be found in the "Technical information" document (available in <https://www.emerson.com/en-us/support>).

## Dimensions



1) = 1.1 +0.2 Nm 800tr/min. max.